

## **AHF28XX SERIES**

### **28V Input, Single and Dual Output**

## **HYBRID-HIGH RELIABILITY DC-DC CONVERTER**

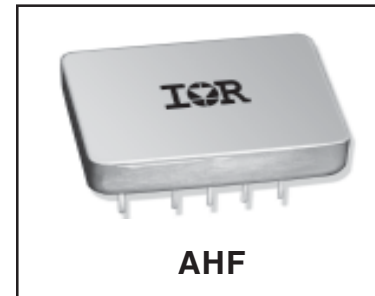
### **Description**

The AHF Series of DC-DC converters feature single or dual outputs over the full military temperature range. No derating in output power is required, making them suitable for use in rugged military applications. The low profile, small outline package is ideally suited to the tight board space requirements of many industrial and aerospace applications. Designed for nominal 28Vdc inputs, this family of converters will meet the requirements of MIL-STD-704D. The basic circuit utilizes a pulse width modulated, feed-forward topology at a nominal switching frequency of 550KHz. Input to output isolation is achieved through the use of transformers in the forward and feedback circuits.

The proprietary magnetic feedback circuit provides for an extremely wide bandwidth control loop with a high phase margin. The closed loop frequency response of this converter family extends to approximately 50KHz, resulting in superior line and load transient characteristics. This feedback method is also inherently temperature and radiation insensitive. This gives the AHF Series an important advantage over converters that incorporate opto-couplers in their design.

Manufactured in a facility fully qualified to MIL-PRF-38534, these converters are fabricated utilizing DSCC qualified processes. For available screening options, refer to device screening table in the data sheet. Variations are electrical, mechanical and screening can be accommodated.

Extensive computer simulation using complex modeling enables rapid design modification to be provided. Contact IR San Jose with specific requirements.



### **Features**

- 16V to 40VDC Input Range (28 VDC Nominal)
- Single and Dual Outputs
- 12W Output Power
- 22.8W/in<sup>3</sup> Power Density
- Low Input / Output Noise (50mA/60mVp-p max. respectively)
- Indefinite Short Circuit and Overload Protection
- Wideband Control Loop for Superior Transient Characteristics
- No derating for -55°C to +125°C Operation
- Constant Switching Frequency (550KHz Nominal)
- Standard Microcircuit Drawings Available

## Specifications

## AHF2803R3S

Absolute Maximum Ratings	
Input voltage	-0.5V to +50V
Soldering temperature	300°C for 10 seconds
Operating case temperature	-55°C to +125°C
Storage case temperature	-65°C to +135°C

Table I. Electrical Performance Characteristics

Test	Symbol	Conditions -55°C ≤ T <sub>c</sub> ≤ +125°C V <sub>IN</sub> = 28Vdc ±5%, C <sub>L</sub> = 0 Unless otherwise specified	Group A Subgroups	Device Types	Limits		Unit
					Min	Max	
Output voltage	V <sub>OUT</sub>	I <sub>OUT</sub> = 0	1	01	3.26	3.34	V
			2,3		3.23	3.36	
Output current <sup>1</sup>	I <sub>OUT</sub>	V <sub>IN</sub> = 16, 28, and 40Vdc	1,2,3	01		3000	mA
Output ripple voltage <sup>2</sup>	V <sub>RIP</sub>	V <sub>IN</sub> = 16, 28, and 40Vdc, B.W. = 20 Hz to 2MHz	1,2,3	01		60	mV p-p
Line regulation	V <sub>RLINE</sub>	V <sub>IN</sub> = 16, 28, and 40Vdc, I <sub>OUT</sub> = 0%, 50% and 100% rated load	1,2,3	01		25	mV
Load regulation	V <sub>RLOAD</sub>	V <sub>IN</sub> = 16, 28, and 40Vdc, I <sub>OUT</sub> = 0%, 50% and 100% rated load	1,2,3	01		50	mV
Input current	I <sub>IN</sub>	I <sub>OUT</sub> = 0, inhibit (pin 1) tied to input return (pin 7)	1,2,3	01		12	mA
		I <sub>OUT</sub> = 0, inhibit (pin 1) = open				30	
Input ripple current <sup>2</sup>	I <sub>RIP</sub>	I <sub>OUT</sub> = 100% rated load B.W. = 20 Hz to 2.0MHz	1,2,3	01		50	mA p-p
Efficiency	E <sub>FF</sub>	I <sub>OUT</sub> = 100% rated load	1	01	72		%
			2,3		70		
Isolation	ISO	Input to output or any pin to case (except pin 6) at 500Vdc, T <sub>c</sub> = +25°C	1	01	100		MΩ
Capacitive load <sup>3,4</sup>	C <sub>L</sub>	No effect on dc performance, T <sub>c</sub> = +25°C	4	01		500	μF
Power dissipation load fault	P <sub>D</sub>	Overload <sup>5</sup>	1	01		6.0	W
		Short circuit	1,2,3	01		2.0	
Switching frequency	F <sub>S</sub>	I <sub>OUT</sub> = 100% rated load	4,5,6	01	500	600	KHz

For Notes to Specifications, refer to page 3

Table I. Electrical Performance Characteristics - continued

AHF2803R3S

Test	Symbol	Conditions -55°C ≤ Tc ≤ +125°C Vin = 28Vdc ±5%, CL = 0 Unless otherwise specified	Group A Subgroups	Device Types	Limits		Unit
					Min	Max	
Output response to step transient load changes <sup>6</sup>	VO <sub>TLOAD</sub>	50% to/from 100% rated load	4,5,6	01	-300	+300	mVpk
		0% to/from 50% rated load	4,5,6		-500	+500	
Recovery time step transient load changes <sup>6,7</sup>	TT <sub>LOAD</sub>	50% to/from 100% rated load	4,5,6	01		70	μs
		0% to/from 50% rated load	4,5,6			1200	μs
		50% to/from 0% rated load	4,5,6			8.0	ms
Output response to transient step line changes	VO <sub>TLINE</sub>	Input step 16V to/from 40Vdc, I <sub>OUT</sub> = 100% rated load <sup>4,8</sup>	4,5,6	01		500	mVpk
Recovery time transient step line changes	TT <sub>LINE</sub>	Input step 16V to/from 40Vdc, I <sub>OUT</sub> = 100% rated load <sup>4,7,8</sup>	4,5,6	01		800	μs
Turn on overshoot	VT <sub>onOS</sub>	I <sub>OUT</sub> = 0 and 100% rated load	4,5,6	01		600	mVpk
Turn on delay	T <sub>onD</sub>	I <sub>OUT</sub> = 0 and 100% rated load <sup>9</sup>	4,5,6	01		20	ms
Load fault recovery <sup>4,9</sup>	T <sub>rLF</sub>		4,5,6	01		20	ms
Weight						38	g

Notes to Specifications

- Parameter guaranteed by line and load regulation tests.
- Bandwidth guaranteed by design. Tested for 20KHz to 2.0MHz.
- Capacitive load may be any value from 0 to the maximum limit without compromising dc performance. A capacitive in excess of the maximum limit will not disturb loop stability but may interfere with the operation of the load fault detection circuitry, appearing as a short circuit during turn-on.
- Parameter shall be tested as part of design characterization and after design or process changes. Thereafter, parameters shall be guaranteed to the limits specified in Table I.
- An overload is that condition with a load in excess of the rated load but less than that necessary to trigger the short circuit protection and is the condition of maximum power dissipation.
- Load step transition time between 2.0μs and 10μs.
- Recovery time is measured from the initiation of the transient to where V<sub>OUT</sub> has returned to within ±1.0 percent of V<sub>OUT</sub> at 50 percent load.
- Input step transition time between 2.0μs and 10μs.
- Turn-on delay time measurement is for either a step application of power at the input or the removal of ground signal from the inhibit pin (pin 1) while power is applied to the input is unlimited.

## Specifications

## AHF2805S

Absolute Maximum Ratings	
Input voltage	-0.5V to +50V
Soldering temperature	300°C for 10 seconds
Operating case temperature	-55°C to +125°C
Storage case temperature	-65°C to +135°C

Table II. Electrical Performance Characteristics

Test	Symbol	Conditions -55°C ≤ T <sub>c</sub> ≤ +125°C V <sub>IN</sub> = 28Vdc ±5%, C <sub>L</sub> = 0 Unless otherwise specified	Group A Subgroups	Device Types	Limits		Unit
					Min	Max	
Output voltage	V <sub>OUT</sub>	I <sub>OUT</sub> = 0	1	01	4.95	5.05	V
			2,3		4.90	5.10	
Output current <sup>1</sup>	I <sub>OUT</sub>	V <sub>IN</sub> = 16, 28, and 40Vdc	1,2,3	01		2400	mA
Output ripple voltage <sup>2</sup>	V <sub>RIP</sub>	V <sub>IN</sub> = 16, 28, and 40Vdc, B.W. = 20 Hz to 2MHz	1,2,3	01		60	mV p-p
Line regulation	V <sub>RLINE</sub>	V <sub>IN</sub> = 16, 28, and 40Vdc, I <sub>OUT</sub> = 0%, 50% and 100% rated load	1,2,3	01		25	mV
Load regulation	V <sub>RLOAD</sub>	V <sub>IN</sub> = 16, 28, and 40Vdc, I <sub>OUT</sub> = 0%, 50% and 100% rated load	1,2,3	01		50	mV
Input current	I <sub>IN</sub>	I <sub>OUT</sub> = 0, inhibit (pin 1) tied to input return (pin 7)	1,2,3	01		12	mA
		I <sub>OUT</sub> = 0, inhibit (pin 1) = open				30	
Input ripple current <sup>2</sup>	I <sub>RIP</sub>	I <sub>OUT</sub> = 100% rated load B.W. = 20 Hz to 2.0MHz	1,2,3	01		50	mA p-p
Efficiency	E <sub>FF</sub>	I <sub>OUT</sub> = 100% rated load	1	01	76		%
			2,3		74		
Isolation	ISO	Input to output or any pin to case (except pin 6) at 500Vdc, T <sub>c</sub> = +25°C	1	01	100		MΩ
Capacitive load <sup>3,4</sup>	C <sub>L</sub>	No effect on dc performance, T <sub>c</sub> = +25°C	4	01		500	μF
Power dissipation load fault	P <sub>D</sub>	Overload <sup>5</sup>	1	01		6.0	W
		Short circuit	1,2,3	01		2.0	
Switching frequency	F <sub>S</sub>	I <sub>OUT</sub> = 100% rated load	4,5,6	01	500	600	KHz

For Notes to Specifications, refer to page 5

Table II. Electrical Performance Characteristics - continued

AHF2805S

Test	Symbol	Conditions -55°C ≤ Tc ≤ +125°C Vin = 28Vdc ±5%, CL = 0 Unless otherwise specified	Group A Subgroups	Device Types	Limits		Unit
					Min	Max	
Output response to step transient load changes <sup>6</sup>	VO <sub>TLOAD</sub>	50% to/from 100% rated load	4,5,6	01	-300	+300	mVpk
		0% to/from 50% rated load	4,5,6		-500	+500	
Recovery time step transient load changes <sup>6,7</sup>	TT <sub>LOAD</sub>	50% to/from 100% rated load	4,5,6	01		70	μs
		0% to/from 50% rated load	4,5,6			1200	μs
		50% to/from 0% rated load	4,5,6			8.0	ms
Output response to transient step line changes	VO <sub>TLINE</sub>	Input step 16V to/from 40Vdc, I <sub>OUT</sub> = 100% rated load <sup>4,8</sup>	4,5,6	01		500	mVpk
Recovery time transient step line changes	TT <sub>LINE</sub>	Input step 16V to/from 40Vdc, I <sub>OUT</sub> = 100% rated load <sup>4,7,8</sup>	4,5,6	01		800	μs
Turn on overshoot	V <sub>TonOS</sub>	I <sub>OUT</sub> = 0 and 100% rated load	4,5,6	01		600	mVpk
Turn on delay	T <sub>onD</sub>	I <sub>OUT</sub> = 0 and 100% rated load <sup>9</sup>	4,5,6	01		20	ms
Load fault recovery <sup>4,9</sup>	T <sub>rLF</sub>		4,5,6	01		20	ms
Weight						38	g

Notes to Specifications

1. Parameter guaranteed by line and load regulation tests.
2. Bandwidth guaranteed by design. Tested for 20KHz to 2.0MHz.
3. Capacitive load may be any value from 0 to the maximum limit without compromising dc performance. A capacitive in excess of the maximum limit will not disturb loop stability but may interfere with the operation of the load fault detection circuitry, appearing as a short circuit during turn-on.
4. Parameter shall be tested as part of design characterization and after design or process changes. Thereafter, parameters shall be guaranteed to the limits specified in Table I.
5. An overload is that condition with a load in excess of the rated load but less than that necessary to trigger the short circuit protection and is the condition of maximum power dissipation.
6. Load step transition time between 2.0μs and 10μs.
7. Recovery time is measured from the initiation of the transient to where V<sub>OUT</sub> has returned to within ±1.0 percent of V<sub>OUT</sub> at 50 percent load.
8. Input step transition time between 2.0μs and 10μs.
9. Turn-on delay time measurement is for either a step application of power at the input or the removal of ground signal from the inhibit pin (pin 1) while power is applied to the input is unlimited.

## Specifications

## AHF2812S

Absolute Maximum Ratings	
Input voltage	-0.5V to +50V
Soldering temperature	300°C for 10 seconds
Operating case temperature	-55°C to +125°C
Storage case temperature	-65°C to +135°C

Table III. Electrical Performance Characteristics

Test	Symbol	Conditions -55°C ≤ T <sub>c</sub> ≤ +125°C V <sub>in</sub> = 28Vdc ±5%, C <sub>L</sub> = 0 Unless otherwise specified	Group A Subgroups	Device Types	Limits		Unit
					Min	Max	
Output voltage	V <sub>OUT</sub>	I <sub>OUT</sub> = 0	1	01	11.88	12.12	V
			2,3		11.76	12.24	
Output current <sup>1</sup>	I <sub>OUT</sub>	V <sub>IN</sub> = 16, 28, and 40Vdc	1,2,3	01		1000	mA
Output ripple voltage <sup>2</sup>	V <sub>RIP</sub>	V <sub>IN</sub> = 16, 28, and 40Vdc, B.W. = 20 Hz to 2MHz	1,2,3	01		60	mV p-p
Line regulation	V <sub>RLINE</sub>	V <sub>IN</sub> = 16, 28, and 40Vdc, I <sub>out</sub> = 0%, 50% and 100% rated load	1,2,3	01		50	mV
Load regulation	V <sub>RLOAD</sub>	V <sub>IN</sub> = 16, 28, and 40Vdc, I <sub>OUT</sub> = 0%, 50% and 100% rated load	1,2,3	01		50	mV
Input current	I <sub>IN</sub>	I <sub>OUT</sub> = 0, inhibit (pin 1) tied to input return (pin 7)	1,2,3	01		12	mA
		I <sub>OUT</sub> = 0, inhibit (pin 1) = open				50	
Input ripple current <sup>2</sup>	I <sub>RIP</sub>	I <sub>OUT</sub> = 100% rated load B.W. = 20 Hz to 2.0MHz	1,2,3	01		50	mA p-p
Efficiency	E <sub>FF</sub>	I <sub>OUT</sub> = 100% rated load	1	01		78	%
			2,3			75	
Isolation	ISO	Input to output or any pin to case (except pin 6) at 500Vdc, T <sub>c</sub> = +25°C	1	01		100	MΩ
Capacitive load <sup>3, 4</sup>	C <sub>L</sub>	No effect on dc performance, T <sub>c</sub> = +25°C	4	01		500	μF
Power dissipation load fault	P <sub>D</sub>	Overload <sup>5</sup>	1	01		6.0	W
		Short circuit	1,2,3	01		2.0	
Switching frequency	F <sub>S</sub>	I <sub>OUT</sub> = 100% rated load	4,5,6	01	500	600	KHz

For Notes to Specifications, refer to page 7

Table III. Electrical Performance Characteristics - continued

AHF2812S

Test	Symbol	Conditions -55°C ≤ Tc ≤ +125°C Vin = 28Vdc ±5%, CL = 0 Unless otherwise specified	Group A Subgroups	Device Types	Limits		Unit
					Min	Max	
Output response to step transient load changes <sup>6</sup>	VO <sub>TLOAD</sub>	50% to/from 100% rated load	4	01	-300	+300	mVpk
			5,6		-450	+450	
		0% to/from 50% rated load	4		-500	+500	
			5,6		-750	+750	
Recovery time step transient load changes <sup>6,7</sup>	TT <sub>LOAD</sub>	50% to/from 100% rated load	4,5,6	01		100	μs
		0% to/from 50% rated load	4,5,6			1500	μs
		50% to/from 0% rated load	4,5,6			10	ms
Output response to transient step line changes	VO <sub>TLINE</sub>	Input step 16V to/from 40Vdc, I <sub>OUT</sub> = 100% rated load <sup>4,8</sup>	4,5,6	01		1500	mVpk
Recovery time transient step line changes	TT <sub>LINE</sub>	Input step 16V to/from 40Vdc, I <sub>OUT</sub> = 100% rated load <sup>4,7,8</sup>	4,5,6	01		800	μs
Turn on overshoot	VTon <sub>OS</sub>	I <sub>OUT</sub> = 0 and 100% rated load	4,5,6	01		600	mVpk
Turn on delay	Ton <sub>D</sub>	I <sub>OUT</sub> = 0 and 100% rated load <sup>9</sup>	4,5,6	01		20	ms
Load fault recovery <sup>4,9</sup>	Tr <sub>LF</sub>		4,5,6	01		20	ms
Weight						38	g

Notes to Specifications

1. Parameter guaranteed by line and load regulation tests.
2. Bandwidth guaranteed by design. Tested for 20KHz to 2.0MHz.
3. Capacitive load may be any value from 0 to the maximum limit without compromising dc performance. A capacitive in excess of the maximum limit will not disturb loop stability but may interfere with the operation of the load fault detection circuitry, appearing as a short circuit during turn-on.
4. Parameter shall be tested as part of design characterization and after design or process changes. Thereafter, parameters shall be guaranteed to the limits specified in Table II.
5. An overload is that condition with a load in excess of the rated load but less than that necessary to trigger the short circuit protection and is the condition of maximum power dissipation.
6. Load step transition time between 2.0μs and 10μs.
7. Recovery time is measured from the initiation of the transient to where V<sub>OUT</sub> has returned to within ±1.0 percent of V<sub>OUT</sub> at 50 percent load.
8. Input step transition time between 2.0μs and 10μs.
9. Turn-on delay time measurement is for either a step application of power at the input or the removal of a ground signal from the inhibit pin (pin 1) while power is applied to the input is unlimited.

## Specifications

## AHF2815S

Absolute Maximum Ratings	
Input voltage	-0.5V to +50V
Soldering temperature	300°C for 10 seconds
Operating case temperature	-55°C to +125°C
Storage case temperature	-65°C to +135°C

Table IV. Electrical Performance Characteristics

Test	Symbol	Conditions -55°C ≤ Tc ≤ +125°C Vin = 28Vdc ±5%, CL = 0 Unless otherwise specified	Group A Subgroups	Device Types	Limits		Unit
					Min	Max	
Output voltage	V <sub>OUT</sub>	I <sub>OUT</sub> = 0	1	All	14.85	15.15	V
			2,3		14.70	15.30	
Output current <sup>1</sup>	I <sub>OUT</sub>	V <sub>IN</sub> = 16, 28, and 40Vdc	1,2,3	All		800	mA
Output ripple voltage <sup>2</sup>	V <sub>RIP</sub>	V <sub>IN</sub> = 16, 28, and 40Vdc, B.W. = 20 Hz to 2MHz	1,2,3	All		50	mV p-p
Line regulation	VR <sub>LINE</sub>	V <sub>IN</sub> = 16, 28, and 40Vdc, I <sub>OUT</sub> = 0%, 50% and 100% rated load	1	All		±35	mV
			2,3		±75		
Load regulation	VR <sub>LOAD</sub>	V <sub>IN</sub> = 16, 28, and 40Vdc, I <sub>OUT</sub> = 0%, 50% and 100% rated load	1,2,3	All		±150	mV
Input current	I <sub>IN</sub>	I <sub>OUT</sub> = 0, inhibit (pin 1) tied to input return (pin 7)	1,2,3	All		18	mA
		I <sub>OUT</sub> = 0, inhibit (pin 1) = open			50		
Input ripple current <sup>2</sup>	I <sub>RIP</sub>	I <sub>OUT</sub> = 100% rated load B.W. = 20 Hz to 2.0MHz	1,2,3	All		20	mA p-p
Efficiency	E <sub>FF</sub>	I <sub>OUT</sub> = 100% rated load	1	All	80		%
			2,3		77		
Isolation	ISO	Input to output or any pin to case (except pin 6) at 500Vdc, Tc = +25°C	1	All	100		MΩ
Capacitive load <sup>3,4</sup>	CL	No effect on dc performance, Tc = +25°C	4	All		200	μF
Power dissipation load fault	PD	Overload <sup>5</sup>	1	All		6.0	W
		Short circuit	1,2,3	All		2.0	
Switching frequency	FS	I <sub>OUT</sub> = 100% rated load	4,5,6	01, 04	250	300	KHz
				02, 05	250	270	
				03, 06	275	300	

For Notes to Specifications, refer to page 9



Table IV. Electrical Performance Characteristics - continued

AHF2815S

Test	Symbol	Conditions -55°C ≤ Tc ≤ +125°C Vin = 28Vdc ±5%, CL = 0 Unless otherwise specified	Group A Subgroups	Device Types	Limits		Unit
					Min	Max	
Output response to step transient load changes <sup>6</sup>	VO <sub>TLOAD</sub>	50% to/from 100% rated load	4,5,6	All	-800	+800	mVpk
		0% to/from 50% rated load	4,5,6		-1000	+750	
Recovery time step transient load changes <sup>6,7</sup>	TT <sub>LOAD</sub>	50% to/from 100% rated load	4	All		100	μs
			5,6			200	
		0% to/from 50% rated load	4			5.0	ms
			5,6			10	
Output response to transient step line changes	VO <sub>TLINE</sub>	Input step 16V to/from 40Vdc, I <sub>OUT</sub> = 100% rated load <sup>4,8</sup>	4,5,6	04	-1000	+1000	mVpk
				05			
				06			
Recovery time transient step line changes	TT <sub>LINE</sub>	Input step 16V to/from 40Vdc, I <sub>OUT</sub> = 100% rated load <sup>4,7,8</sup>	4,5,6	01		500	μs
Turn on overshoot	VT <sub>ONOS</sub>	I <sub>OUT</sub> = 0 and 100% rated load	4,5,6	All		750	mVpk
Turn on delay	T <sub>OND</sub>	I <sub>OUT</sub> = 0 and 100% rated load <sup>9</sup>	4,5,6	All		12	ms
Load fault recovery <sup>4,9</sup>	T <sub>RLF</sub>		4,5,6	All		12	ms
Weight						38	g

Notes to Specifications

- Parameter guaranteed by line and load regulation tests.
- Bandwidth guaranteed by design. Tested for 20KHz to 2.0MHz.
- Capacitive load may be any value from 0 to the maximum limit without compromising dc performance. A capacitive in excess of the maximum limit will not disturb loop stability but may interfere with the operation of the load fault detection circuitry, appearing as a short circuit during turn-on.
- Parameter shall be tested as part of design characterization and after design or process changes. Thereafter, parameters shall be guaranteed to the limits specified in Table III.
- An overload is that condition with a load in excess of the rated load but less than that necessary to trigger the short circuit protection and is the condition of maximum power dissipation.
- Load step transition time between 2.0μs and 10μs.
- Recovery time is measured from the initiation of the transient to where V<sub>OUT</sub> has returned to within ±1.0 percent of V<sub>OUT</sub> at 50 percent load.
- Input step transition time between 2.0μs and 10μs.
- Turn-on delay time measurement is for either a step application of power at the input or the removal of a ground signal from the inhibit pin (pin 2) while power is applied to the input is unlimited.

## Specifications

## AHF2805D

Absolute Maximum Ratings	
Input voltage	-0.5V to +50V
Soldering temperature	300°C for 10 seconds
Operating case temperature	-55°C to +125°C
Storage case temperature	-65°C to +135°C

Table V. Electrical Performance Characteristics

Test	Symbol	Conditions -55°C ≤ T <sub>c</sub> ≤ +125°C V <sub>in</sub> = 28Vdc ±5%, C <sub>L</sub> = 0 Unless otherwise specified	Group A Subgroups	Device Types	Limits		Unit
					Min	Max	
Output voltage	V <sub>OUT</sub>	I <sub>OUT</sub> = 0	1	01	±4.95	±5.05	V
			2,3		±4.90	±5.10	
Output current <sup>1,2</sup>	I <sub>OUT</sub>	V <sub>IN</sub> = 16, 28, and 40Vdc each output	1,2,3	01	0.12	1.08	A
Output ripple voltage <sup>3</sup>	V <sub>RIP</sub>	V <sub>IN</sub> = 16, 28, and 40Vdc, B.W. = 20 Hz to 2MHz	1,2,3	01		60	mV p-p
Line regulation <sup>4</sup>	VR <sub>LINE</sub>	V <sub>IN</sub> = 16, 28, and 40Vdc, I <sub>OUT</sub> = 0%, 50% and 100% rated load	1,2,3	01		30	mV
Load regulation <sup>4</sup>	VR <sub>LOAD</sub>	V <sub>IN</sub> = 16, 28, and 40Vdc, I <sub>OUT</sub> = 0%, 50% and 100% rated load	1,2,3	01		30	mV
Cross regulation <sup>5</sup>	VR <sub>CROSS</sub>	10% to 90% load changes	1,2,3	01		±10	%
Input current	I <sub>IN</sub>	I <sub>OUT</sub> = 0, inhibit (pin 1) tied to input return (pin 7)	1,2,3	01		12	mA
		I <sub>OUT</sub> = 0, inhibit (pin 1) = open				60	
Input ripple current <sup>3,4</sup>	I <sub>RIP</sub>	I <sub>OUT</sub> = 100% rated load B.W. = 20 Hz to 2.0MHz	1,2,3	01		50	mA p-p
Efficiency <sup>4</sup>	E <sub>FF</sub>	I <sub>OUT</sub> = 100% rated load, T <sub>c</sub> = +25°C,	1,3	01	75		%
			2		72		
Isolation	ISO	Input to output or any pin to case (except pin 6) at 500Vdc, T <sub>c</sub> = +25°C	1	01	100		MΩ
Capacitive load <sup>6,7</sup>	C <sub>L</sub>	No effect on dc performance, T <sub>c</sub> = +25°C, total for both outputs	4	01		200	μF
Power dissipation load fault	P <sub>D</sub>	Overload, T <sub>c</sub> = +25°C	1,2,3	01		6.0	W
		Short circuit, T <sub>c</sub> = +25°C				2.0	
Switching frequency	F <sub>S</sub>	I <sub>OUT</sub> = 100% rated load	4,5,6	01	500	600	KHz

For Notes to Specifications, refer to page 11

Table V. Electrical Performance Characteristics - continued

AHF2805D

Test	Symbol	Conditions -55°C ≤ Tc ≤ +125°C Vin = 28Vdc ±5%, CL = 0 Unless otherwise specified	Group A Subgroups	Device Types	Limits		Unit
					Min	Max	
Output response to step transient load changes <sup>4, 9</sup>	VO <sub>TLOAD</sub>	50% to/from 100% rated load	4,5,6	01	-400	+400	mVpk
		0% to/from 50% rated load	4,5,6		-800	+800	
Recovery time step transient load changes <sup>4, 9,10</sup>	TT <sub>LOAD</sub>	50% to/from 100% rated load	4,5,6	01		70	μs
		0% to/from 50% rated load	4,5,6			100	
Output response to transient step line changes <sup>4, 7, 11</sup>	VO <sub>TLINE</sub>	Input step 16V to/from 40Vdc, I <sub>OUT</sub> = 100% rated load	4,5,6	01	-400	+400	mVpk
Recovery time transient step line changes <sup>4, 7, 10, 11</sup>	TT <sub>LINE</sub>	Input step 16V to/from 40Vdc, I <sub>OUT</sub> = 100% rated load	4,5,6	01		1200	μs
Turn on overshoot <sup>4</sup>	VT <sub>onOS</sub>	I <sub>OUT</sub> = 0 and 100% rated load	4,5,6	01		600	mVpk
Turn on delay	T <sub>onD</sub>	I <sub>OUT</sub> = 0 and 100% rated load <sup>9</sup>	4,5,6	01		25	ms
Load fault recovery <sup>4, 9</sup>	T <sub>rLF</sub>		4,5,6	01		25	ms
Weight						38	g

Notes to Specifications

- Parameter guaranteed by line load and cross regulation tests.
- Up to 90 percent of full power is available from either output provided the total output does not exceed 12W.
- Bandwidth guaranteed by design. Tested for 20KHz to 2.0MHz.
- Load current split equally between +V<sub>OUT</sub> and -V<sub>OUT</sub>.
- 1.2 watt load on output under test, 1.2W to 10.8W load change on other output.
- Capacitive load may be any value from 0 to the maximum limit without compromising dc performance. A capacitive load in excess of the maximum limit will not disturb loop stability but may interfere with the operation of the load fault detection circuitry, appearing as a short circuit during turn-on.
- Parameter shall be tested as part of design characterization and after design or process changes. Thereafter, parameters shall be guaranteed to the limits specified in Table IV.
- An overload is that condition with a load in excess of the rated load but less than that necessary to trigger the short circuit protection and is the condition of maximum power dissipation.
- Load step transition time between 2.0μs and 10μs.
- Recovery time is measured from the initiation of the transient to where V<sub>OUT</sub> has returned to within ±1.0 percent of V<sub>OUT</sub> at 50 percent load.
- Input step transition time between 2.0μs and 10μs.
- Turn-on delay time measurement is for either a step application of power at the input or the removal of a ground signal from the inhibit pin (pin 1) while power is applied to the input.

## Specifications

## AHF2812D

Absolute Maximum Ratings	
Input voltage	-0.5V to +50V
Soldering temperature	300°C for 10 seconds
Operating case temperature	-55°C to +125°C
Storage case temperature	-65°C to +135°C

Table VI. Electrical Performance Characteristics

Test	Symbol	Conditions -55°C ≤ T <sub>c</sub> ≤ +125°C V <sub>in</sub> = 28Vdc ±5%, C <sub>L</sub> = 0 Unless otherwise specified	Group A Subgroups	Device Types	Limits		Unit
					Min	Max	
Output voltage	V <sub>OUT</sub>	I <sub>OUT</sub> = 0	1	01	±11.88	±12.12	V
			2,3		±11.76	±12.24	
Output current <sup>1,2</sup>	I <sub>OUT</sub>	V <sub>IN</sub> = 16, 28, and 40Vdc each output	1,2,3	01	100	900	mA
Output ripple voltage <sup>3</sup>	V <sub>RIP</sub>	V <sub>IN</sub> = 16, 28, and 40Vdc, B.W. = 20 Hz to 2MHz	1,2,3	01		60	mV p-p
Line regulation <sup>4</sup>	VR <sub>LINE</sub>	V <sub>IN</sub> = 16, 28, and 40Vdc, I <sub>out</sub> = 0%, 50% and 100% rated load	1,2,3	01		30	mV
Load regulation <sup>4</sup>	VR <sub>LOAD</sub>	V <sub>IN</sub> = 16, 28, and 40Vdc, I <sub>OUT</sub> = 0%, 50% and 100% rated load	1,2,3	01		30	mV
Cross regulation <sup>5</sup>	VR <sub>CROSS</sub>	10% to 90% load changes	1,2,3	01		3.0	%
Input current	I <sub>IN</sub>	I <sub>OUT</sub> = 0, inhibit (pin 1) tied to input return (pin 7)	1,2,3	01		12	mA
		I <sub>OUT</sub> = 0, inhibit (pin 1) = open				60	
Input ripple current <sup>3,4</sup>	I <sub>RIP</sub>	I <sub>OUT</sub> = 100% rated load B.W. = 20 Hz to 2.0MHz	1,2,3	01		50	mA p-p
Efficiency <sup>4</sup>	E <sub>FF</sub>	I <sub>OUT</sub> = 100% rated load, T <sub>c</sub> = +25°C	1,3	01	77		%
			2		74		
Isolation	ISO	Input to output or any pin to case (except pin 6) at 500Vdc, T <sub>c</sub> = +25°C	1	01	100		MΩ
Capacitive load <sup>6,7</sup>	C <sub>L</sub>	No effect on dc performance, T <sub>c</sub> = +25°C, total for both outputs	4	01		200	μF
Power dissipation load fault	P <sub>D</sub>	Overload, T <sub>c</sub> = +25°C	1,2,3	01		6.0	W
		Short circuit, T <sub>c</sub> = +25°C				2.0	
Switching frequency	F <sub>S</sub>	I <sub>OUT</sub> = 100% rated load	4,5,6	01	500	600	KHz

For Notes to Specifications, refer to page 13

Table VI. Electrical Performance Characteristics - continued

AHF2812D

Test	Symbol	Conditions -55°C ≤ Tc ≤ +125°C Vin = 28Vdc ±5%, CL = 0 Unless otherwise specified	Group A Subgroups	Device Types	Limits		Unit
					Min	Max	
Output response to step transient load changes <sup>4, 9</sup>	VO <sub>TLOAD</sub>	50% to/from 100% rated load	4,5,6	01	-200	+200	mVpk
		0% to/from 50% rated load	4,5,6		-800	+800	
Recovery time step transient load changes <sup>4, 9,10</sup>	TT <sub>LOAD</sub>	50% to/from 100% rated load	4,5,6	01		70	μs
		0% to/from 50% rated load	4,5,6			1000	
Output response to transient step line changes <sup>4, 7, 11</sup>	VO <sub>TLINE</sub>	Input step 16V to/from 40Vdc, I <sub>OUT</sub> = 100% rated load	4,5,6	01	-750	+750	mVpk
Recovery time transient step line changes <sup>4, 7, 10, 11</sup>	TT <sub>LINE</sub>	Input step 16V to/from 40Vdc, I <sub>OUT</sub> = 100% rated load	4,5,6	01		1200	μs
Turn on overshoot <sup>4</sup>	VT <sub>ONOS</sub>	I <sub>OUT</sub> = 0 and 100% rated load	4,5,6	01		600	mVpk
Turn on delay	T <sub>OND</sub>	I <sub>OUT</sub> = 0 and 100% rated load <sup>9</sup>	4,5,6	01		25	ms
Load fault recovery <sup>4, 9</sup>	T <sub>RLF</sub>		4,5,6	01		25	ms
Weight						38	g

Notes to Specifications

- Parameter guaranteed by line load and cross regulation tests.
- Up to 90 percent of full power is available from either output provided the total output does not exceed 12W.
- Bandwidth guaranteed by design. Tested for 20KHz to 2.0MHz.
- Load current split equally between +V<sub>OUT</sub> and -V<sub>OUT</sub>.
- 1.2 watt load on output under test, 1.2W to 10.8W load change on other output.
- Capacitive load may be any value from 0 to the maximum limit without compromising dc performance. A capacitive load in excess of the maximum limit will not disturb loop stability but may interfere with the operation of the load fault detection circuitry, appearing as a short circuit during turn-on.
- Parameter shall be tested as part of design characterization and after design or process changes. Thereafter, parameters shall be guaranteed to the limits specified in Table V.
- An overload is that condition with a load in excess of the rated load but less than that necessary to trigger the short circuit protection and is the condition of maximum power dissipation.
- Load step transition time between 2.0μs and 10μs.
- Recovery time is measured from the initiation of the transient to where V<sub>OUT</sub> has returned to within ±1.0 percent of V<sub>OUT</sub> at 50 percent load.
- Input step transition time between 2.0μs and 10μs.
- Turn-on delay time measurement is for either a step application of power at the input or the removal of a ground signal from the inhibit pin (pin 1) while power is applied to the input.

## Specifications

AHF2815D

Absolute Maximum Ratings	
Input voltage	-0.5V to +50V
Soldering temperature	300°C for 10 seconds
Operating case temperature	-55°C to +125°C
Storage case temperature	-65°C to +135°C

Table VII. Electrical Performance Characteristics

Test	Symbol	Conditions -55°C ≤ T <sub>c</sub> ≤ +125°C V <sub>in</sub> = 28Vdc ±5%, C <sub>L</sub> = 0 Unless otherwise specified	Group A Subgroups	Device Types	Limits		Unit
					Min	Max	
Output voltage	V <sub>OUT</sub>	I <sub>OUT</sub> = 0	1 2,3	01	±14.85 ±14.70	±15.15 ±15.30	V
Output current <sup>1,2</sup>	I <sub>OUT</sub>	V <sub>IN</sub> = 16, 28, and 40Vdc each output	1,2,3	01	80	720	mA
Output ripple voltage <sup>3</sup>	V <sub>RIP</sub>	V <sub>IN</sub> = 16, 28, and 40Vdc, B.W. = 20 Hz to 2MHz	1,2,3	01		60	mV p-p
Line regulation <sup>4</sup>	VR <sub>LINE</sub>	V <sub>IN</sub> = 16, 28, and 40Vdc, I <sub>OUT</sub> = 0%, 50% and 100% rated load	1,2,3	01		35	mV
Load regulation <sup>4</sup>	VR <sub>LOAD</sub>	V <sub>IN</sub> = 16, 28, and 40Vdc, I <sub>OUT</sub> = 0%, 50% and 100% rated load	1,2,3	01		35	mV
Cross regulation <sup>5</sup>	VR <sub>CROSS</sub>	10% to 90% load changes	1,2,3	01		3.0	%
Input current	I <sub>IN</sub>	I <sub>OUT</sub> = 0, inhibit (pin 1) tied to input return (pin 7) I <sub>OUT</sub> = 0, inhibit (pin 1) = open	1,2,3	01		12 55	mA
Input ripple current <sup>3,4</sup>	I <sub>RIP</sub>	I <sub>OUT</sub> = 100% rated load B.W. = 20 Hz to 2.0MHz	1,2,3	01		50	mA p-p
Efficiency <sup>4</sup>	E <sub>FF</sub>	I <sub>OUT</sub> = 100% rated load, T <sub>c</sub> = +25°C	1,3 2	01	78 75		%
Isolation	ISO	Input to output or any pin to case (except pin 6) at 500Vdc, T <sub>c</sub> = +25°C	1	01	100		MΩ
Capacitive load <sup>6,7</sup>	C <sub>L</sub>	No effect on dc performance, T <sub>c</sub> = +25°C, total for both outputs	4	01		200	μF
Power dissipation load fault	P <sub>D</sub>	Overload, T <sub>c</sub> = +25°C Short circuit, T <sub>c</sub> = +25°C	1,2,3	01		6.0 2.5	W
Switching frequency <sup>4</sup>	F <sub>S</sub>	I <sub>OUT</sub> = 100% rated load	4,5,6	01	500	600	KHz

For Notes to Specifications, refer to page 15

Table VII. Electrical Performance Characteristics - continued

AHF2815D

Test	Symbol	Conditions -55°C ≤ T <sub>c</sub> ≤ +125°C V <sub>in</sub> = 28Vdc ±5%, C <sub>L</sub> = 0 Unless otherwise specified	Group A Subgroups	Device Types	Limits		Unit
					Min	Max	
Output response to step transient load changes <sup>4, 9</sup>	V <sub>O_TLOAD</sub>	50% to/from 100% rated load	4,5,6	01	-200	+200	mVpk
		0% to/from 50% rated load	4,5,6		-800	+800	
Recovery time step transient load changes <sup>4, 9,10</sup>	T <sub>T_LOAD</sub>	50% to/from 100% rated load	4,5,6	01		70	μs
		0% to/from 50% rated load	4,5,6			500	
Output response to transient step line changes <sup>4, 7, 11</sup>	V <sub>O_TLINE</sub>	Input step 16V to/from 40Vdc, I <sub>OUT</sub> = 100% rated load	4,5,6	01	-750	+750	mVpk
Recovery time transient step line changes <sup>4, 7, 10, 11</sup>	T <sub>T_LINE</sub>	Input step 16V to/from 40Vdc, I <sub>OUT</sub> = 100% rated load	4,5,6	01		1200	μs
Turn on overshoot <sup>4</sup>	V <sub>TonOS</sub>	I <sub>OUT</sub> = 0 and 100% rated load	4,5,6	01		750	mVpk
Turn on delay	T <sub>onD</sub>	I <sub>OUT</sub> = 0 and 100% rated load <sup>9</sup>	4,5,6	01		25	ms
Load fault recovery <sup>4, 9</sup>	T <sub>r_LF</sub>		4,5,6	01		25	ms
Weight						38	g

Notes to Specifications

- Parameter guaranteed by line load and cross regulation tests.
- Up to 90 percent of full power is available from either output provided the total output does not exceed 12W.
- Bandwidth guaranteed by design. Tested for 20KHz to 2.0MHz.
- Load current split equally between +V<sub>OUT</sub> and -V<sub>OUT</sub>.
- 1.2 watt load on output under test, 1.2W to 10.8W load change on other output.
- Capacitive load may be any value from 0 to the maximum limit without compromising dc performance. A capacitive load in excess of the maximum limit will not disturb loop stability but may interfere with the operation of the load fault detection circuitry, appearing as a short circuit during turn-on.
- Parameter shall be tested as part of design characterization and after design or process changes. Thereafter, parameters shall be guaranteed to the limits specified in Table VI.
- An overload is that condition with a load in excess of the rated load but less than that necessary to trigger the short circuit protection and is the condition of maximum power dissipation.
- Load step transition time between 2.0μs and 10μs.
- Recovery time is measured from the initiation of the transient to where V<sub>OUT</sub> has returned to within ±1.0 percent of V<sub>OUT</sub> at 50 percent load.
- Input step transition time between 2.0μs and 10μs.
- Turn-on delay time measurement is for either a step application of power at the input or the removal of a ground signal from the inhibit pin (pin 1) while power is applied to the input.

**Application Information**

**Inhibit Function (Enable)**

Connecting the enable input (Pin 1) to input common (Pin 7) will cause the converter to shut down. It is recommended that the enable pin be driven by an open collector device capable of sinking at least 400µA of current. The open circuit voltage of the enable input is 15 ± 1.0VDC. If the inhibit function is not used, this input can be left unconnected because it is internally pulled-up.

Hence, if T<sub>AMBIENT</sub> = +25°C, the DC/DC converter case temperature will be approximately 100°C if no heat sink or air flow is provided.

To calculate the heat sink area required to maintain a specific case temperature rise, the above equation may be manipulated as follows:

**Thermal Management**

Assuming that there is no forced air flow, the package temperature rise above ambient (ΔT) may be calculated using the following expression:

$$\Delta T \approx 80 A^{-0.7} P^{0.85} (\text{°C})$$

where A = the effective surface area in square inches (including heat sink if used), P = power dissipation in watts.

The total surface area of the AHF package is 4.9 square inches. If a worse case full load efficiency of 78% is assumed, then the case temperature rise can be calculated as follows:

$$P = P_{OUT} \left[ \frac{1}{Eff} - 1 \right] = 12 \left[ \frac{1}{0.78} - 1 \right] = 3.4W$$

$$\Delta T = 80 (4.9)^{-0.7} (3.4)^{0.85} = 74\text{°C}$$

$$A_{HEAT\ SINK} = \left[ \frac{\Delta T}{80P^{0.85}} \right]^{-1.43} - A_{PKG}$$

As an example, if a maximum case temperature rise of 50°C rise above ambient is desired, then the required effective heat sink area is:

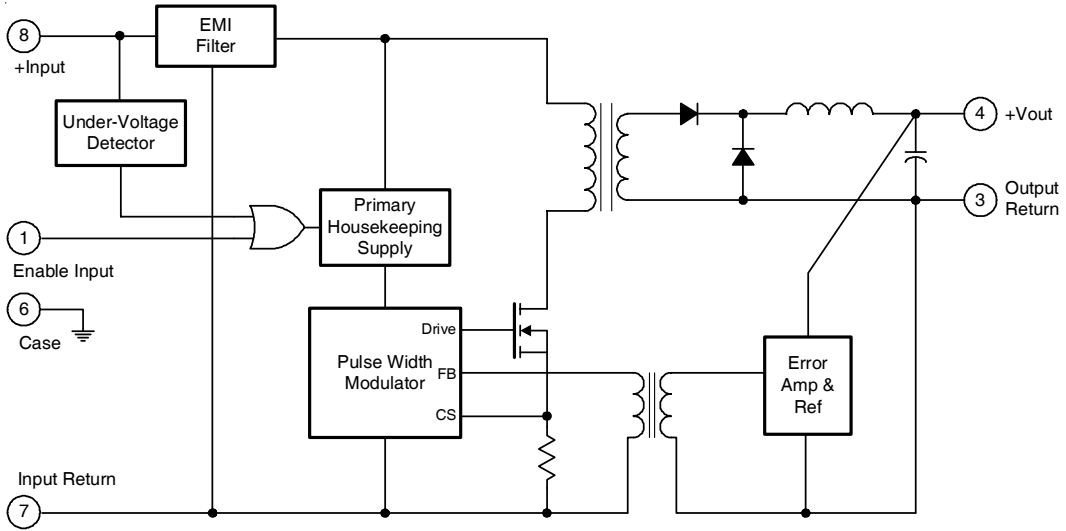
$$A_{HEATSINK} = \left[ \frac{50}{80(3.4)^{0.85}} \right]^{-1.43} - 4.9 = 3.75in.^2$$

**Standard Microcircuit Drawing Equivalence Table**

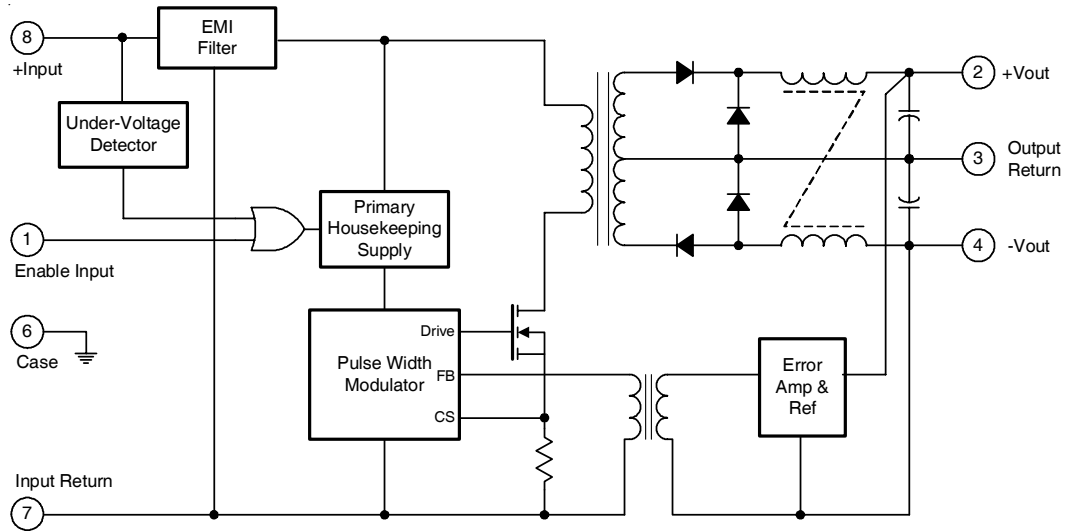
Standard Microcircuit Drawing Number	Vendor Cage Code	IR Standard Part Number
5962-91600	52467	AHF2805S
5962-94568	52467	AHF2812S
5962-94563	52467	AHF2815S
5962-05205	52467	AHF2805D
5962-92111	52467	AHF2812D
5962-92351	52467	AHF2815D



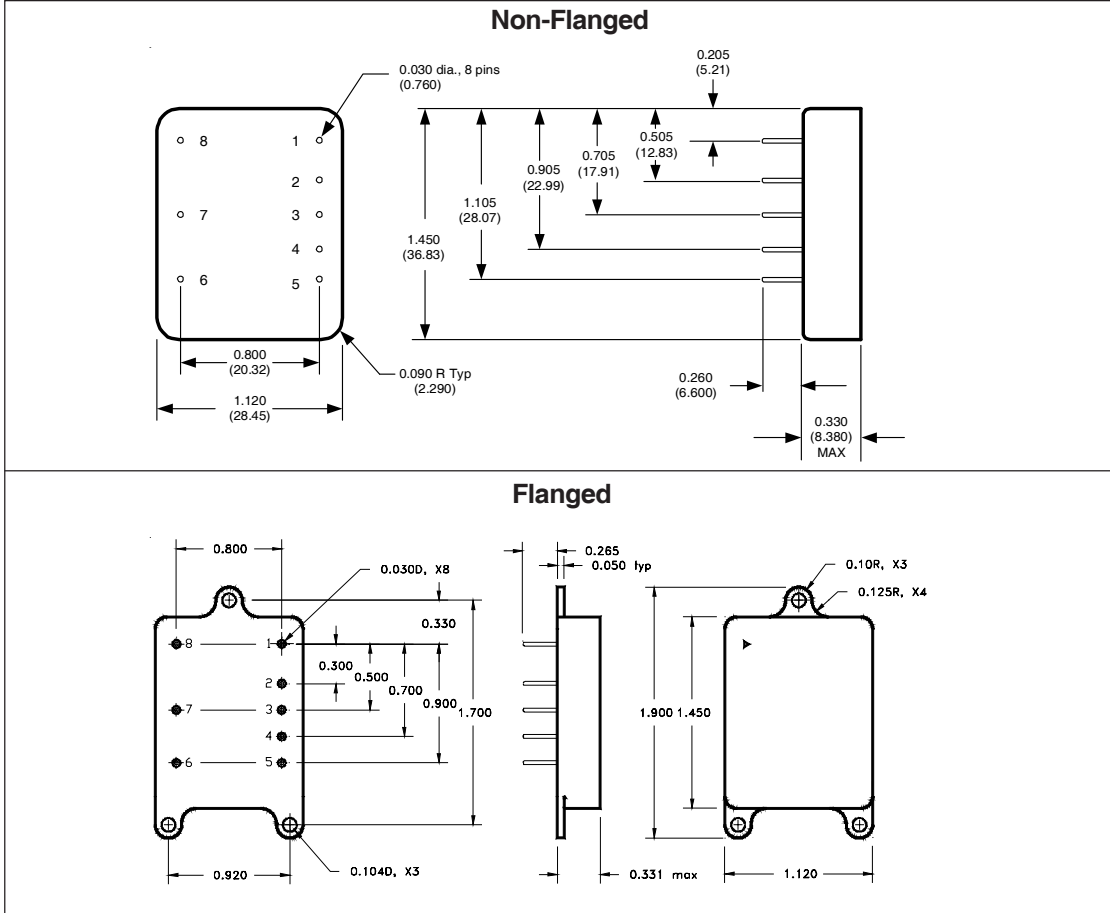
**( Single Output ) Block Diagram**



**( Dual Output ) Block Diagram**



**Mechanical Outlines**



**Pin Designation**

Pin #	Single Output	Dual Output
1	Enable Input	Enable Input
2	NC	+ Output
3	Output Return	Output Return
4	+ Output	- Output
5	NC	NC
6	Case	Case
7	Input Return	Input Return
8	+Input	+Input

**Device Screening**

Requirement	MIL-STD-883 Method	No Suffix	ES ②	HB	CH
Temperature Range	—	-20°C to +85°C	-55°C to +125°C ③	-55°C to +125°C	-55°C to +125°C
Element Evaluation	MIL-PRF-38534	N/A	N/A	N/A	Class H
Non-Destructive Bond Pull	2023	N/A	N/A	N/A	N/A
Internal Visual	2017	①	Yes	Yes	Yes
Temperature Cycle	1010	N/A	Cond B	Cond C	Cond C
Constant Acceleration	2001, Y1 Axis	N/A	500 Gs	3000 Gs	3000 Gs
PIND	2020	N/A	N/A	N/A	N/A
Burn-In	1015	N/A	48 hrs@hi temp	160 hrs@125°C	160 hrs@125°C
Final Electrical ( Group A )	MIL-PRF-38534 & Specification	25°C	25°C ②	-55°C, +25°C, +125°C	-55°C, +25°C, +125°C
PDA	MIL-PRF-38534	N/A	N/A	N/A	10%
Seal, Fine and Gross	1014	Cond A	Cond A, C	Cond A, C	Cond A, C
Radiographic	2012	N/A	N/A	N/A	N/A
External Visual	2009	①	Yes	Yes	Yes

Notes:

- ① Best commercial practice
- ② Sample tests at low and high temperatures
- ③ -55°C to +105°C for AHE, ATO, ATW

**Part Numbering**

